

## VMC-19LCD-HMPG1

Article-No.: 90559

19" (48cm) LCD Professional Monitor with  
Protection Glass, 1280x1024 Px., 12VDC

### Mainfeatures

Professional PAL/NTSC LCD/TFT Monitor  
3D Comb Filter  
CVBS, S-Video, HDMI, RGB and Audio Inputs  
Quick Signal Switching / Fast Response Time  
Compact Metal Cabinet with LCD Protection Glass

Multiple Language On-screen Menu Driven Set-up  
Resolution of 1280x1024 Pixels (SXGA) / 700TVL  
No Pixel Burn-in (Anti Burn Function)  
Artifacts, Noise and Motion Blur Reduction  
Integrated Loudspeakers



### Specifications

Video standard	PAL/NTSC
Display element	Colour TFT/LCD
Screen size	19"
Screen Size (cm)	48 cm
Pixel format	1280 (H) x 1024 (V) 0.294x0.294mm
Pixel fault class	ISO 13406-2, Class II
Scanning method	Digital progressive scan (Frame/Motion mode)
Resolution pixels	1280 x 1024
Resolution	CVBS and Y/C: 700TV lines; VGA: 640x480 (60 ~ 75Hz); SVGA: 800x600 (56 ~ 75Hz); XGA: 1024x768 (60 ~ 75Hz); SXGA: 1280x1024 (60 ~ 75Hz)
Comb Filter	The digital PAL 3D comb filter decoder offsets the preceding and succeeding images in order to achieve a better separation of the interwoven colour and black-and-white signals. Prevents colour streaks and uneven edges of colour
Colour scales	16.7Mio (8 Bit)
Contrast ratio typical	1000:1
Brightness typical	250 cd/m <sup>2</sup>



## Specifications (continued)

Viewing angle top	80°
Viewing angle right	80°
Viewing angle bottom	80°
Viewing angle left	80°
Light source	2CCFL
Response time typical	5 ms
PC interfaces	VGA
PC interfaces	Analog RGB (0.714Vp-p, 75ohms), H & V sync. (TTL), 15-pin D-Sub
Video inputs (type)	CVBS, Y/C, VGA, HDMI
Video inputs	2x 1Vp-p, CVBS, automatic 75 ohms termination (loop-through), Y/C input, 4 pin Mini DIN, 75 ohms
Audio inputs	2
Audio input	Stereo (Cinch)
Audio output power	2x 0.5watts
Menu languages	English, German, French, Spanish, Italian, Polish, Czech, Russian
Supply voltage	12VDC (±0.5V)
Power consumption	28W
External adjustments	On-screen control, ON/OFF
Remote control	Wireless remote control enabled
Temperature range (Operation)	0 ~ +40°C
Housing material	Aluminium
Mount	VESA standard (4 threads M4, 100x100mm)
Colour (housing)	anthracite
Dimensions (HxWxD)	362x419x54mm
Total height with stand	429mm
Weight	5.1kg
Parts supplied	PSU 100~240V/12VDC with power cord, VGA cable, IR remote control unit, Multiple language manual
Certificates	CE

## Optional Accessories

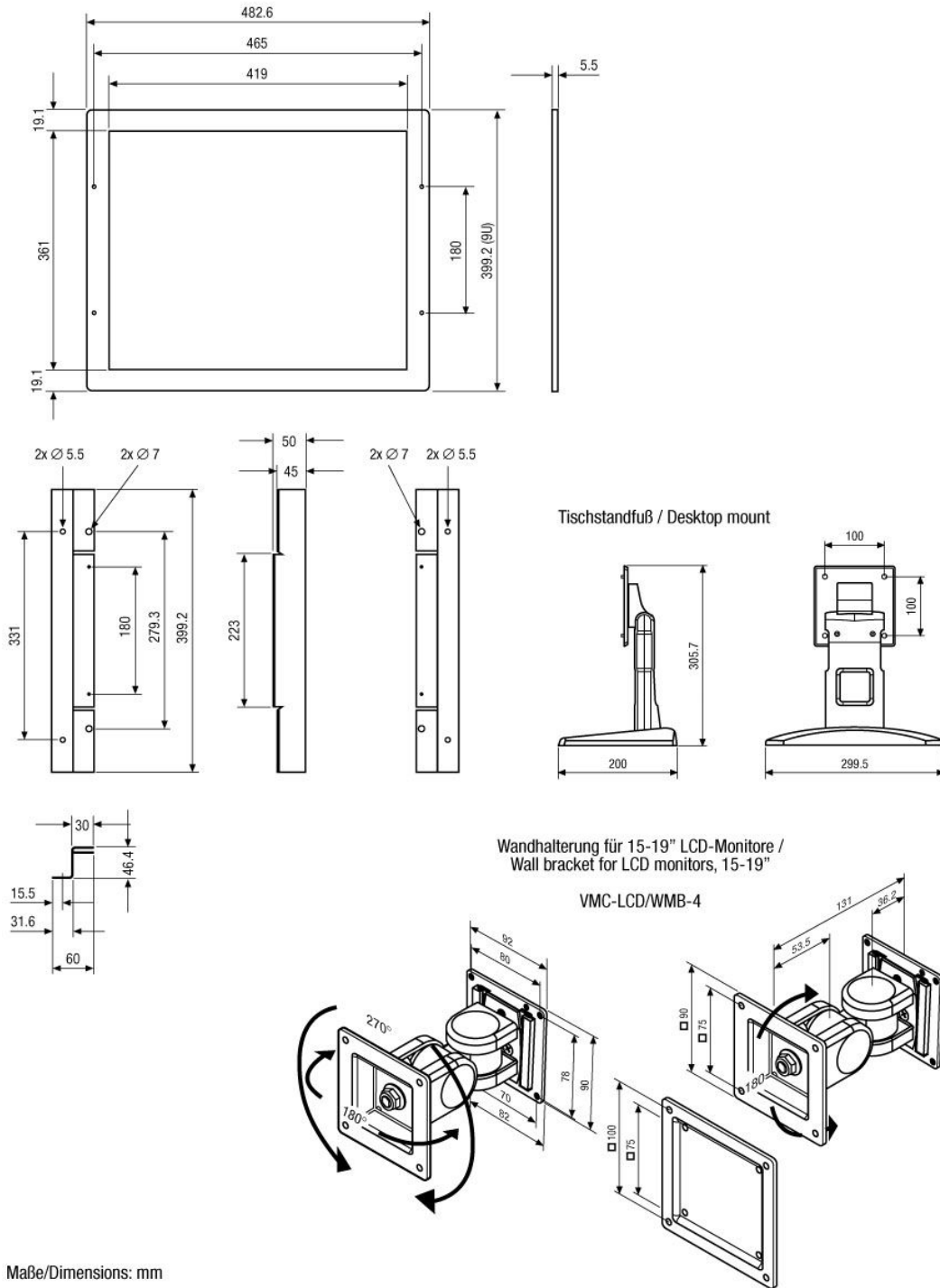
Image	Artikel-Nr. / Typ	Description
	LCD-ST/HM	Desktop Mount for LCD Monitor VMC-15/17/19, LCD/HMC Series
	VMC-LCD/WMB-4	Wall Bracket for LCD Monitors up to 23", Pan and Tilttable

## Optional Accessories (continued)

Image	Artikel-Nr. / Typ	Description		
	UNO	Wall Bracket for LCD Monitors up to 23", Pan and Tilttable		
" data-bbox="86 323 201 346"/>	VMC-LCD/WCMB-1	Wall/Ceiling Bracket for LCD Monitors 15"/>" data-bbox="86 388 154 468"/>	VMC-LCD/CMB-1	Ceiling Mount Bracket, Pan and Tilttable for LCD Monitors 19" to 30"
	LCD-19P-RMK	19" Kit for 19" LCD Monitor (VMC-19LCD-P and VMC-19LCD-HMC1)		

## Technical Drawing

19"-Einbaukit /  
19" Rack mount kit



Maße/Dimensions: mm



Your partner for eneo products:

